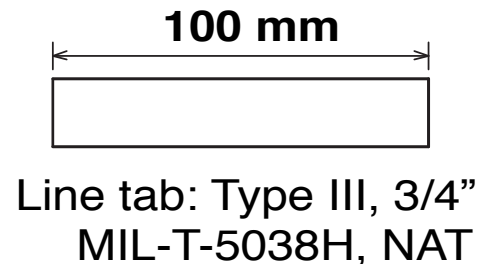
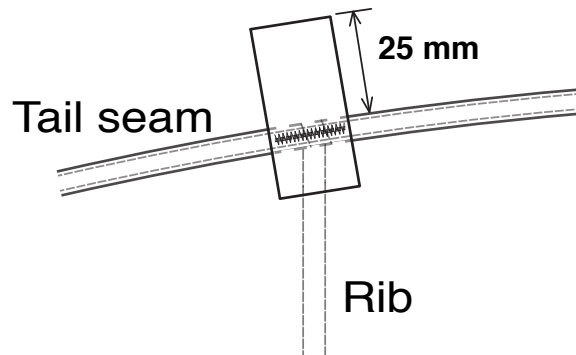
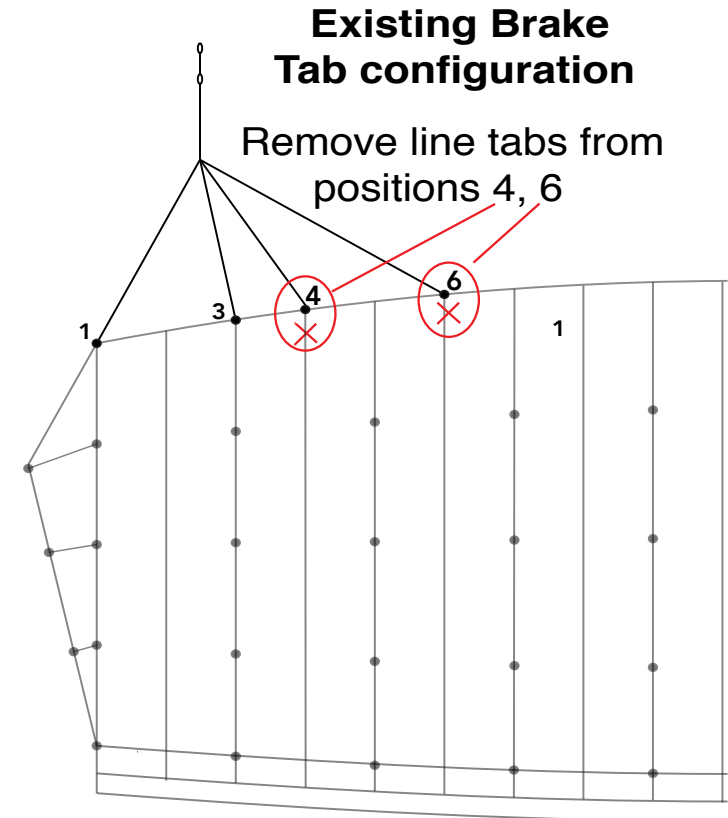
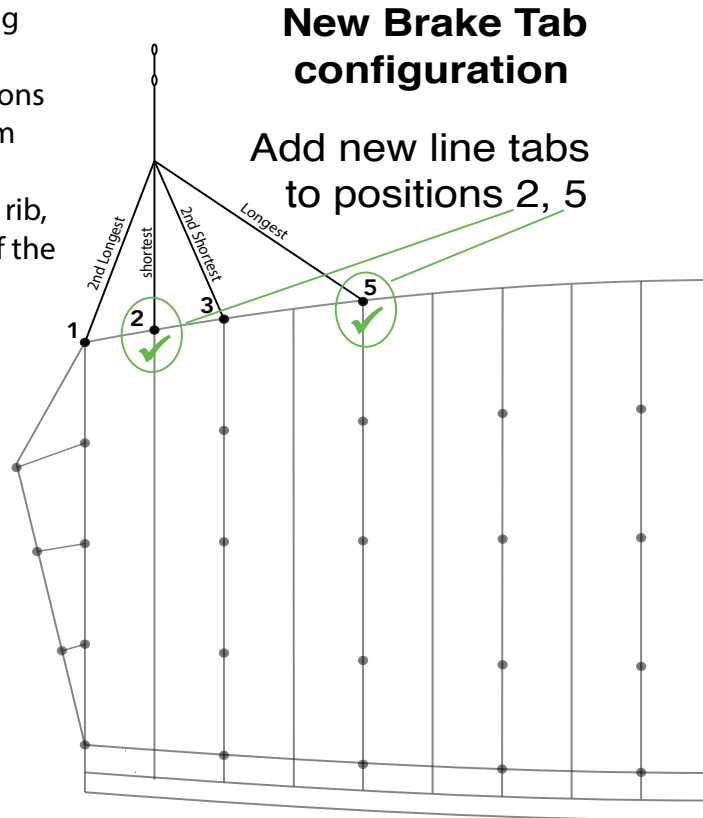



Safire 3 brake tabs configuration update

Riggers: Please remove the existing line tabs from positions 4 and 6 on the tail. Add new line tabs to positions 2 and 5 to match the "New" diagram

Note: Brake tab positions are every rib, starting with the outside corners of the tail as position #1



Bartack: 42 Stitch, centre start/stop

 Ticket 60 (tex 45), bonded continuous filament nylon 6.6